

# PVC-U Butterfly valves PROFLOW® P

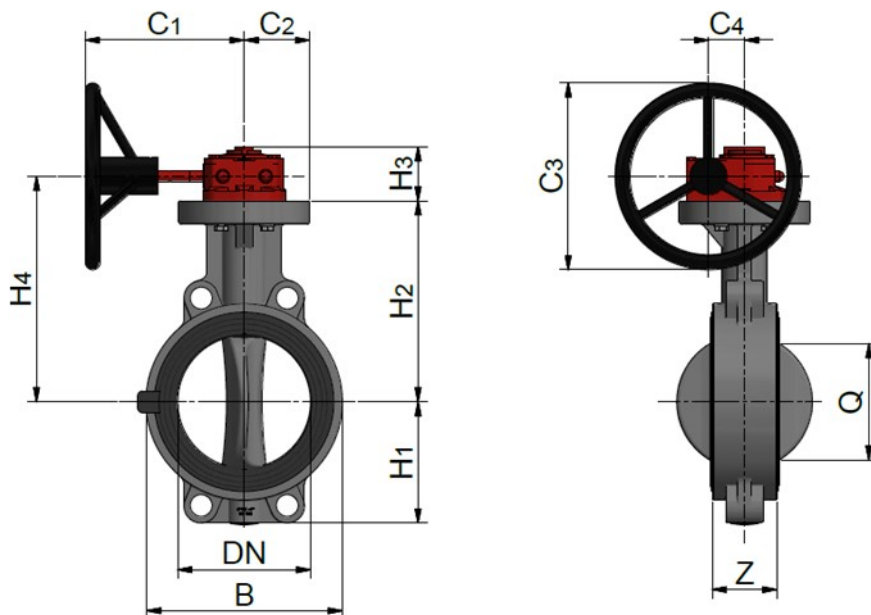
## PVC-U Valvole a farfalla PROFLOW® P



### WHEEL GEARBOX RIDUTTORE A VOLANTINO

- Stem: stainless steel AISI 420B
- Seals: EPDM or FKM
- Installation between EN/ISO/DIN, ANSI or JIS flanges
- DN 65 and 150-200: full drilled body; DN 80-125: partially drilled body

- Asta: acciaio AISI 420B
- Guarnizioni: EPDM o FKM
- Installazione mediante flange EN/ISO/DIN, ANSI o JIS
- Corpi: DN 65 e 150-200 asolatura completa; DN 80-125: asolatura parziale



Code EPDM <sup>1</sup>	d	DN	Z	H1	H2	H3	H4	C1	C2	C3	C4	B	Q	PN	Weight (g)
FDRGPF0750.CR	75	65	48	80	132	53	158,5	139	56,5	160	42,5	134	61	10	2350
FDRGPF0900.CR	90	80	59	92	132	53	158,5	139	56,5	160	42,5	139	73	10	2550
FDRGPF1100.CR	110	100	59,5	106	132	53	158,5	139	56,5	160	42,5	150	82	10	2831
FDRGPF1400.CR	125/140	125	65	119	159	53	158,5	139	56,5	160	42,5	185	107	10	3668
FDRGPF1600.CR	160	150	69	130	215	59	244,5	189	70	160	42,5	259	128	10	6268
FDRGPF2250.CR	200/225	200	71	159	215	67	248,5	207	70	200	50	318	177	10	8350

1) EPDM/FKM codes: / Codici EPDM/FKM:

EPDM code	FDR G PFP *** 0.CR
FKM code	FDR G PFP *** V.CR



Certifications and approvals: only for items declared on Official Listing or certificates. / Certificazioni: solo per gli articoli dichiarati nelle Official Listing o nei certificati stessi.

All descriptions and illustrations in this publication are intended for guidance only and shall not constitute a 'sale by description'. All dimensions given are nominal, while changes can be done on the information, products and specifications from time to time for a variety of reasons, without prior notice. The information in this publication is provided 'as is' on the revision date stated on the sheet. Updates will not be issued automatically. This information is not intended to have any legal effect, whether by way of advice, representation or warranty (express or implied). We accept no liability whatsoever (to the extent permitted by law) if you place any reliance on this publication you must do so at your own risk. All rights reserved. Copyright in this publication belongs to Polypipe Italia and all such copyright may not be used, sold, copied or reproduced in whole or part in any manner in any media to any person without prior consent. **EFFAST** is a registered trademark.