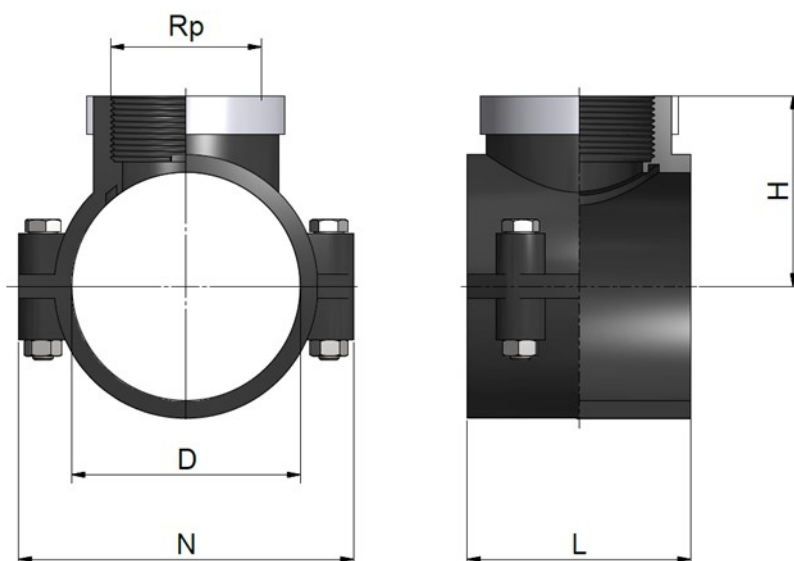


## PP Clamp saddles

### PP Prese a staffa

**BSPF FEMALE THREADED WITH SS REINFORCING RING**  
**FILETTATA BSPF FEMMINA CON ANELLO DI RINFORZO INOX**

Rev. Oct 2019



Code	D	Rp	N	L	H	Weight (g)
SEP011063D	63	1"	97	68	58	253
SEP011063E	63	1"1/4	97	68	62	243
SEP011063F	63	1"1/2	97	68	61	243
SEP011075B	75	1/2"	110	68	65	313
SEP011075C	75	3/4"	110	68	65	313
SEP011075D	75	1"	110	68	63	313
SEP011075E	75	1"1/4	110	68	64	296
SEP011075F	75	1"1/2	110	68	68	296
SEP011075G	75	2"	110	68	68	270
SEP011090B	90	1/2"	127	88	71	370
SEP011090C	90	3/4"	127	88	71	390
SEP011090D	90	1"	126	88	75	700
SEP011090E	90	1"1/4	127	88	75	390
SEP011090F	90	1"1/2	126	88	88	390
SEP011090G	90	2"	127	88	75	310
SEP011110B	110	1/2"	140	98	86	600
SEP011110C	110	3/4"	140	98	86	420
SEP011110D	110	1"	142	98	86	420
SEP011110E	110	1"1/4	140	98	86	420
SEP011110F	110	1"1/2	140	98	86	750

Code	D	Rp	N	L	H	Weight (g)
SEP011110G	110	2"	142	98	87	750
SEP011110H	110	2"1/2	162	107	100	470
SEP011110I	110	3"	162	107	102	470
SEP011125B	125	1/2"	164	120	95	740
SEP011125C	125	3/4"	164	120	95	740
SEP011125D	125	1"	164	120	95	740
SEP011125E	125	1"1/4	164	120	95	740
SEP011125F	125	1"1/2	164	120	95	740
SEP011125G	125	2"	164	120	95	740
SEP011125H	125	2"1/2	164	120	95	1233
SEP011125I	125	3"	164	120	95	1233
SEP011140C	140	3/4"	202	116	112	873
SEP011140D	140	1"	202	116	112	873
SEP011140E	140	1"1/4	202	116	112	873
SEP011140F	140	1"1/2	202	116	112	873
SEP011140G	140	2"	202	116	112	873
SEP011140I	140	3"	202	116	112	813
SEP011140L	140	4"	202	116	112	813
SEP011160B	160	1/2"	202	116	112	985
SEP011160C	160	3/4"	202	116	112	985
SEP011160D	160	1"	202	116	112	985
SEP011160E	160	1"1/4	202	116	112	985
SEP011160F	160	1"1/2	202	116	112	985
SEP011160G	160	2"	202	116	112	894
SEP011160H	160	2"1/2	202	116	112	894
SEP011160I	160	3"	202	116	112	894
SEP011160L	160	4"	202	116	112	894
SEP011200D	200	1"	270	195	252	2065
SEP011200E	200	1"1/4	270	195	247	2065
SEP011200F	200	1"1/2	270	195	243	2030
SEP011200G	200	2"	270	195	246	2035
SEP011200I	200	3"	270	195	252	2073
SEP011200L	200	4"	270	195	255,5	2080
SEP011225B	225	3/4"	300	195	267	2160
SEP011225D	225	1"	300	195	267	2160
SEP011225E	225	1"1/4	286	195	273	2712
SEP011225F	225	1"1/2	286	195	274,5	2164
SEP011225G	225	2"	289	195	271	2197
SEP011225I	225	3"	302	195	279	2228
SEP011225L	225	4"	300	195	280	2220
SEP011250D	250	1"	322	242	294,5	2712
SEP011250E	250	1"1/4	324	244	295,5	2712

Code	D	Rp	N	L	H	Weight (g)
SEP011250G	250	2"	331	244	295,5	2713
SEP011250I	250	3"	339	243	298	2750
SEP011250L	250	4"	327	243	298	2765
SEP011315D	315	1"	392	244	373,5	4005

All descriptions and illustrations in this publication are intended for guidance only and shall not constitute a 'sale by description'. All dimensions given are nominal, while changes can be done on the information, products and specifications from time to time for a variety of reasons, without prior notice. The information in this publication is provided 'as is' on the revision date stated on the sheet. Updates will not be issued automatically. This information is not intended to have any legal effect, whether by way of advice, representation or warranty (express or implied). We accept no liability whatsoever (to the extent permitted by law) if you place any reliance on this publication you must do so at your own risk. All rights reserved. Copyright in this publication belongs to Polypipe Italia and all such copyright may not be used, sold, copied or reproduced in whole or part in any manner in any media to any person without prior consent. **EFFAST** is a registered trademark."