

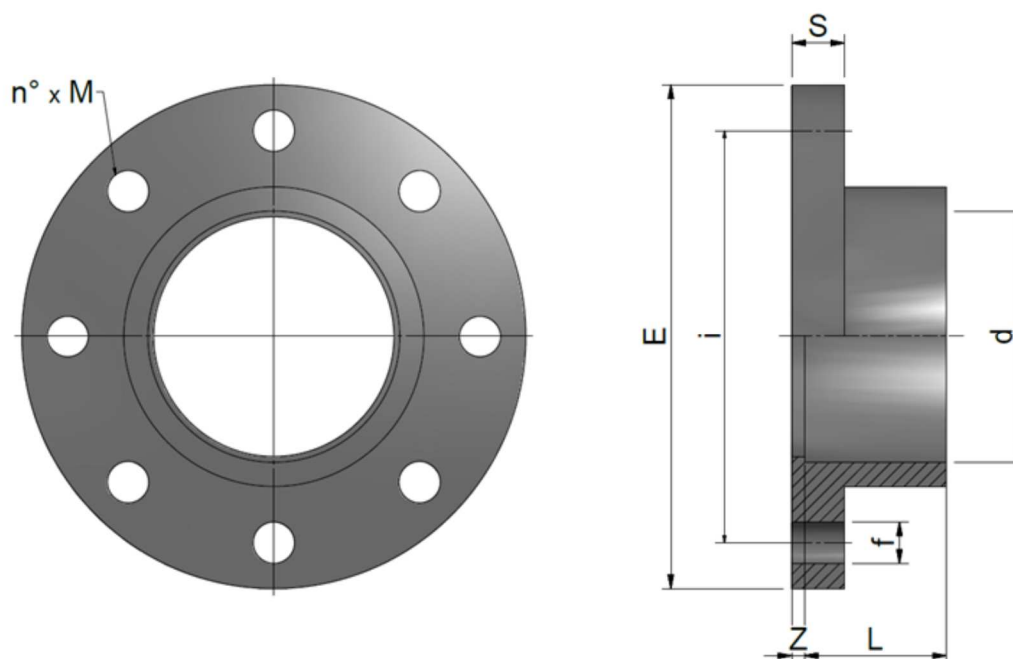
PVC-U Solvent welded metric fittings

PVC-U Raccordi per incollaggio metrici

FIXED FLANGE EN/ISO/DIN

FLANGIA FISSA EN/ISO/DIN

Rev. Cct 2019



Code	d	DN	L	Z	S	E	i	f	n° x M	PN	Weight (g)
RDRFFD0200	20	15	16	5	11	95	65	14	4 x M12	16	75
RDRFFD0250	25	20	19	5	12	105	75	14	4 x M12	16	102
RDRFFD0320	32	25	22	5	14	115	85	14	4 x M12	16	138
RDRFFD0400	40	32	26	5	15	142	100	18	4 x M16	16	228
RDRFFD0500	50	40	31	5	16	152	110	18	4 x M16	16	284
RDRFFD0630	63	50	38	5	18	165	125	18	4 x M16	16	380
RDRFFD0750	75	65	44	6	19	185	145	18	4 x M16	16	505
RDRFFD0900	90	75	51	7	20	200	160	18	8 x M16	16	685
RDRFFD1100	110	100	63	8	22	220	180	18	8 x M16	16	940



NSF and WRAS certifications: only for valves with EPDM seals. Certifications and approvals are related to items declared on Official Listing or certificates. /
 Certificazioni NSF e WRAS: valide solo per le valvole con guarnizioni EPDM. Le certificazioni si riferiscono ai prodotti dichiarati nelle Official Listing o sui certificati stessi.

All descriptions and illustrations in this publication are intended for guidance only and shall not constitute a 'sale by description'. All dimensions given are nominal, while changes can be done on the information, products and specifications from time to time for a variety of reasons, without prior notice. The information in this publication is provided 'as is' on the revision date stated on the sheet. Updates will not be issued automatically. This information is not intended to have any legal effect, whether by way of advice, representation or warranty (express or implied). We accept no liability whatsoever (to the extent permitted by law) if you place any reliance on this publication you must do so at your own risk. All rights reserved. Copyright in this publication belongs to Polypipe Italia and all such copyright may not be used, sold, copied or reproduced in whole or part in any manner in any media to any person without prior consent. **EFFAST** is a registered trademark.