

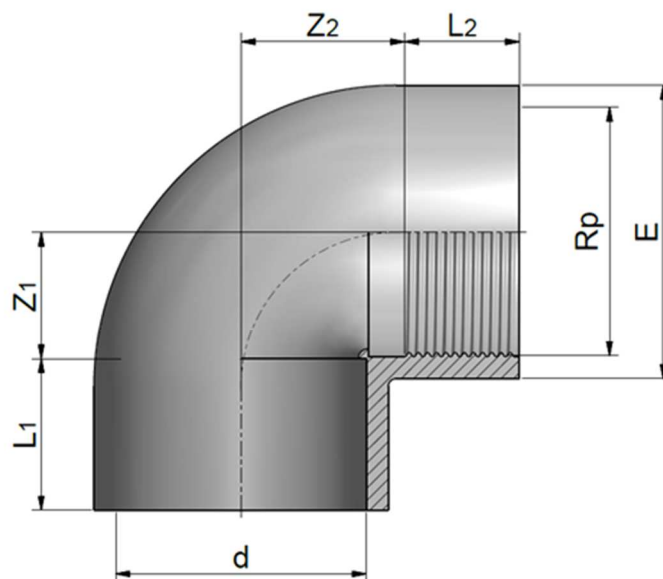
ABS Solvent welded BS—BSPP Threaded fittings
ABS Raccordi BS per incollaggio—filettati BSPP

ABS Adaptor fittings, BS - BSPP

ABS Raccordi di passaggio, BS - BSPP

ELBOW 90°
GOMITO 90°

Rev. Jul 2020



Code	d	Rp	L1	L2	Z1	Z2	E	PN	Weight (g)
RCAGOC020B	1/2"	1/2"	17	15	11	13	28	15	16
RCAGOC025C	3/4"	3/4"	20	16,3	14	17	34	15	28
RCAGOC032D	1"	1"	23	19,1	17	21	42	15	49
RCAGOC040E	1"1/4	1"1/4	27	21,4	21	27	51	15	76
RCAGOC050F	1"1/2	1"1/2	32	21,4	26	37	61	15	163
RCAGOC063G	2"	2"	38	26	33	46	75	15	308
RCAGOC075H	2"1/2	2"1/2	44	30,2	39	53	89	15	400
RCAGOC090I	3"	3"	52	33,3	47	65	106	15	549
RCAGOC110L	4"	4"	63	39,3	58	65,7	132	15	1055

Thread according to ISO 228-1 / Filettatura secondo ISO 228-1

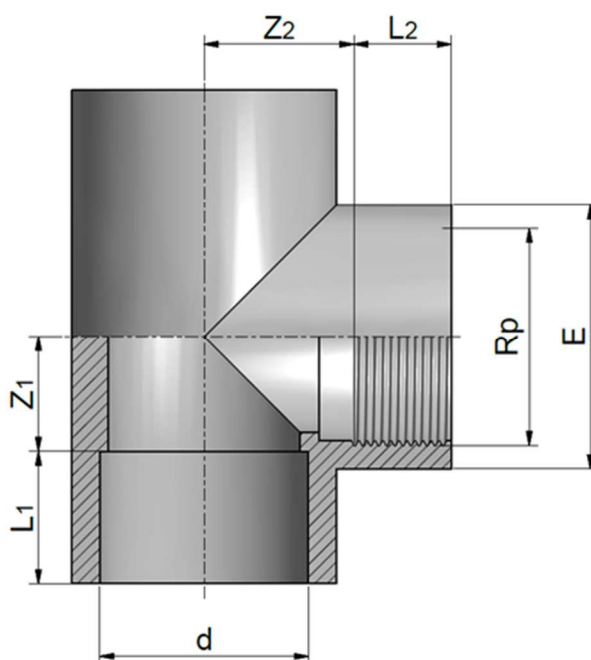


NSF and WRAS certifications: only for valves with EPDM seals. Certifications and approvals are related to items declared on Official Listing or certificates. /
Certificazioni NSF e WRAS: valide solo per le valvole con guarnizioni EPDM. Le certificazioni si riferiscono ai prodotti dichiarati nelle Official Listing o sui certificati stessi.

ABS Adaptor fittings, BS - BSPP
ABS Raccordi di passaggio, BS - BSPP

TEE 90° WITH FEMALE THREADED BRANCH
TI 90° CON BOCCA CENTRALE FILETTATA FEMMINA

Rev. Jul 2020



Code	d	Rp	L1	L2	Z1	Z2	E	PN	Weight (g)
RCATIC020B	1/2"	1/2"	17	15	11	13	28	15	20
RCATIC025C	3/4"	3/4"	20	16,3	14	17	34	15	38
RCATIC032D	1"	1"	23	19,1	17	21	42	15	69
RCATIC040E	1"1/4	1"1/4	27	21,4	21	27	51	15	106
RCATIC050F	1"1/2	1"1/2	32	21,4	26	37	61	15	213
RCATIC063G	2"	2"	39	25,7	33	47	75	15	380
RCATIC075H	2"1/2	2"1/2	44	30,2	39	53	89	15	505
RCATIC090I	3"	3"	51	33,3	47	65	106	15	674
RCATIC110L	4"	4"	63	39,3	57	79	129	15	1325

Thread according to ISO 228-1 / Filettatura secondo ISO 228-1



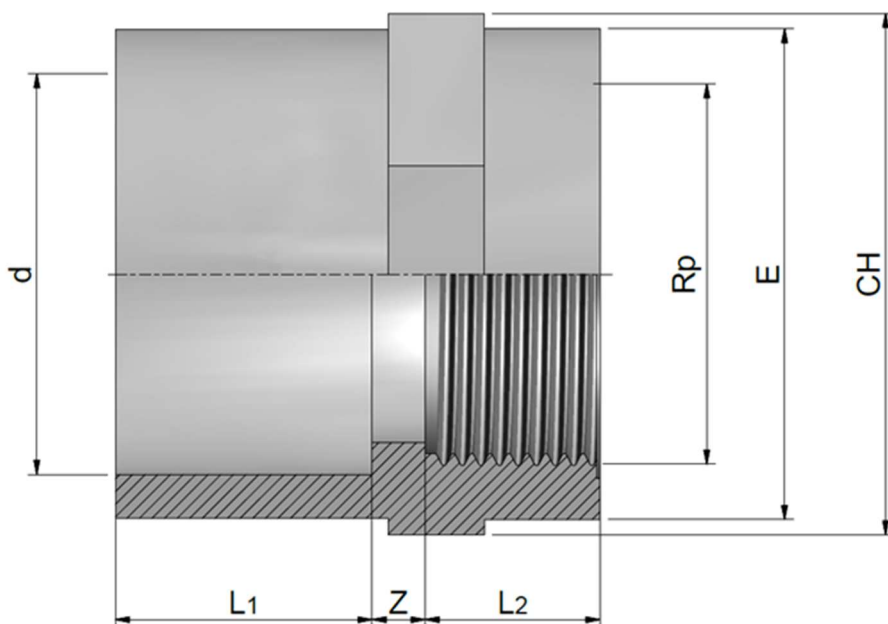
NSF and WRAS certifications: only for valves with EPDM seals. Certifications and approvals are related to items declared on Official Listing or certificates. /
 Certificazioni NSF e WRAS: valide solo per le valvole con guarnizioni EPDM. Le certificazioni si riferiscono ai prodotti dichiarati nelle Official Listing o sui certificati stessi.

ABS Adaptor fittings, BS - BSPP

ABS Raccordi di passaggio, BS - BSPP

SOCKET MANICOTTO

Rev. Jul 2020



Code	d	Rp	L1	L2	Z	E	CH	PN	Weight (g)
RCAMAC020B	1/2"	1/2"	17	15	4	28	30	15	10
RCAMAC025C	3/4"	3/4"	20	16,3	6	34	36	15	22
RCAMAC032D	1"	1"	23	19,1	6,6	42	46	15	37
RCAMAC040E	1"1/4	1"1/4	27	21,4	7	51	55	15	60
RCAMAC050F	1"1/2	1"1/2	32	21,4	7	61	65	15	104
RCAMAC063G	2"	2"	38	28	6	75	75	15	161
RCAMAC075H	2"1/2	2"1/2	44	30,2	8	89	90	15	215
RCAMAC090I	3"	3"	52	33,3	7	106	110	15	369
RCAMAC110L	4"	4"	63	39,3	5	134	130	15	516

Thread according to ISO 228-1 / Filettatura secondo ISO 228-1



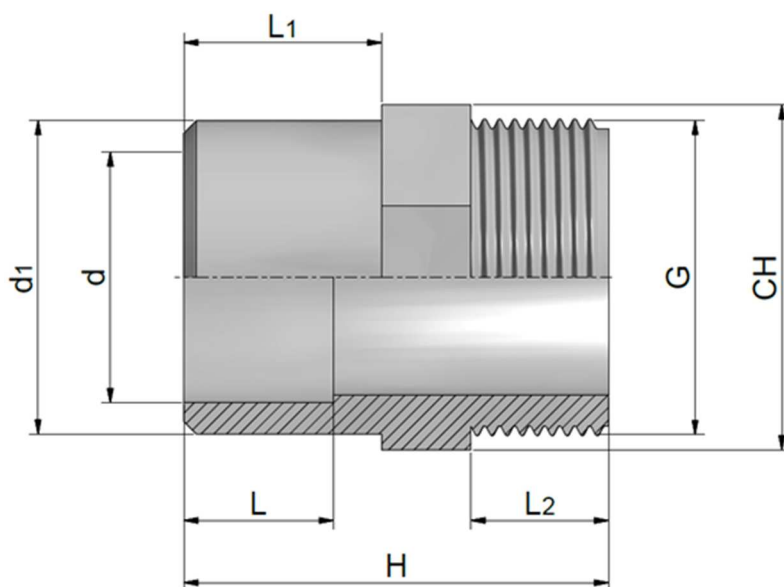
NSF and WRAS certifications: only for valves with EPDM seals. Certifications and approvals are related to items declared on Official Listing or certificates. /
Certificazioni NSF e WRAS: valide solo per le valvole con guarnizioni EPDM. Le certificazioni si riferiscono ai prodotti dichiarati nelle Official Listing o sui certificati stessi.

ABS Adaptor fittings, BS - BSPP

ABS Raccordi di passaggio, BS - BSPP

MALE ADAPTOR ADATTATORE MASCHIO

Rev. Jul 2020



Code	d	d1	G	L	L1	L2	H	CH	PN	Weight (g)
RCAAMC020B	1/2"	3/4"	1/2"	17	20	15	46	30	15	10
RCAAMC025C	3/4"	1"	3/4"	20	23	16,3	50	36	15	22
RCAAMC032D	1"	1"1/4	1"	23	27	19,1	57	46	15	37
RCAAMC040E	1"1/4	1"1/2	1"1/4	27	32	21,4	67	55	15	60
RCAAMC050F	1"1/2	2"	1"1/2	32	39	21,4	74	65	15	104
RCAAMC063G	2"	2"1/2	2"	39	44	25,7	84	80	15	161
RCAAMC075H	2"1/2	3"	2"1/2	44	52	30,2	99	95	15	270
RCAAMC090I	3"	4"	3"	52	63	33,3	113	115	15	369
RCAAMC110L	4"	5"	4"	63	66	39,3	120	140	15	516

Thread according to ISO 228-1 / Filettatura secondo ISO 228-1

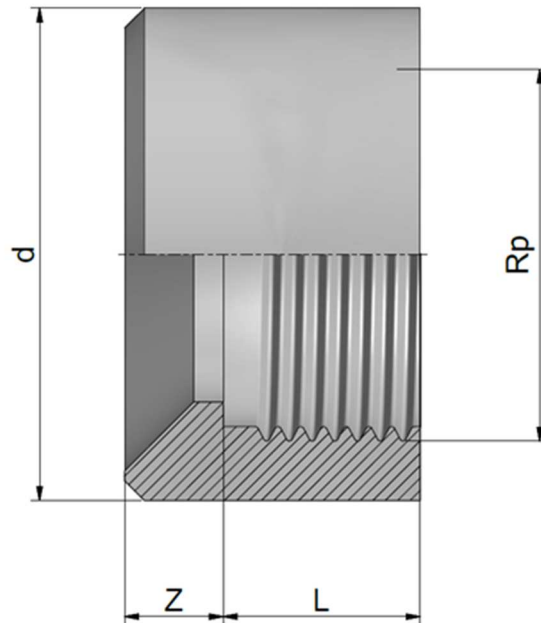


NSF and WRAS certifications: only for valves with EPDM seals. Certifications and approvals are related to items declared on Official Listing or certificates. /
Certificazioni NSF e WRAS: valide solo per le valvole con guarnizioni EPDM. Le certificazioni si riferiscono ai prodotti dichiarati nelle Official Listing o sui certificati stessi.

ABS BSPP threaded fittings ABS Raccordi filettati BSPP

REDUCING BUSH M-F RIDUZIONE CORTA M-F

Rev. Oct 2019



Code	d	Rp	L min	Z max	PN	Weight (g)
RCARCC020A	1/2"	3/8"	15	4	15	2
RCARCC025B	3/4"	1/2"	17	6	15	5
RCARCC032C	1"	3/4"	16,3	5,7	15	9

Thread according to ISO 228-1 / Filettatura secondo ISO 228-1



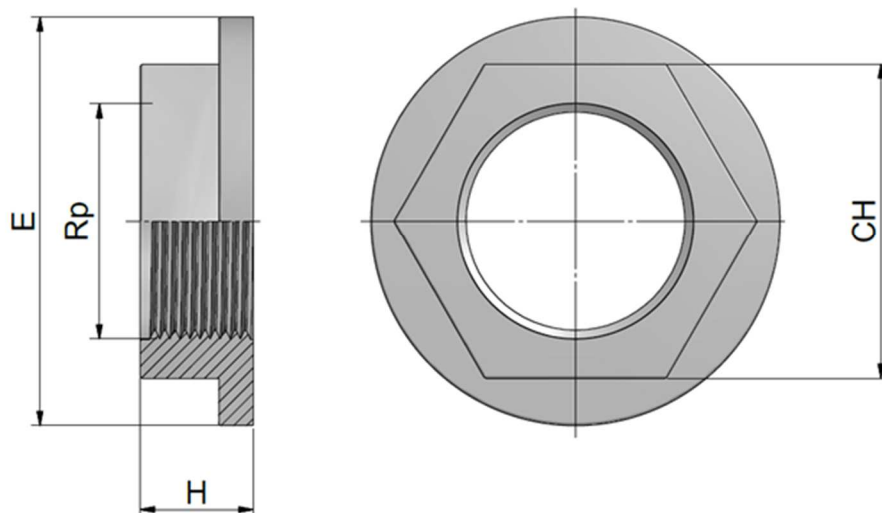
NSF and WRAS certifications: only for valves with EPDM seals. Certifications and approvals are related to items declared on Official Listing or certificates. /
Certificazioni NSF e WRAS: valide solo per le valvole con guarnizioni EPDM. Le certificazioni si riferiscono ai prodotti dichiarati nelle Official Listing o sui certificati stessi.

ABS BSPB threaded fittings

ABS Raccordi filettati BSPB

BACKNUT GHIERA

Rev. Aug 2019



Code	Rp	E	H	CH	PN	Weight (g)
REANUE020B	1/2"	38	13	28	15	10
REANUE025C	3/4"	43	14	33	15	12
REANUE032D	1"	56	16	46	15	25
REANUE040E	1"1/4	65	18	50	15	30
REANUE050F	1"1/2	72	19	60	15	44
REANUE063G	2"	94	21	80	15	95
REANUE075H	2"1/2	105	23	95	15	107
REANUE090I	3"	125	27	110	15	171
REANUE110L	4"	154	31	140	15	273

Thread according to ISO 228-1 / Filettatura secondo ISO 228-1

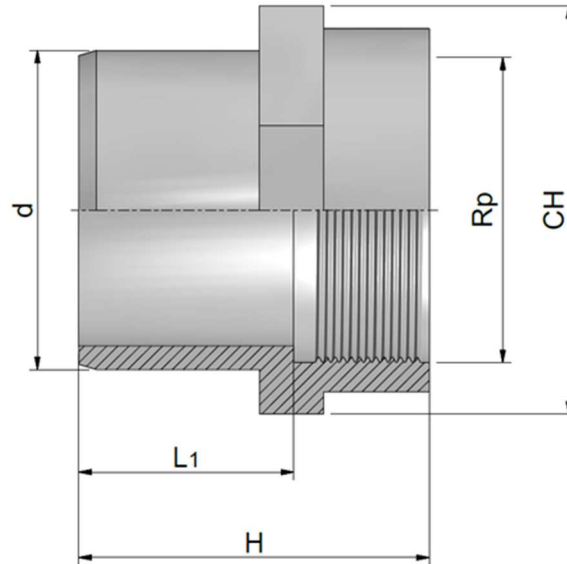


NSF and WRAS certifications: only for valves with EPDM seals. Certifications and approvals are related to items declared on Official Listing or certificates. /
Certificazioni NSF e WRAS: valide solo per le valvole con guarnizioni EPDM. Le certificazioni si riferiscono ai prodotti dichiarati nelle Official Listing o sui certificati stessi.

ABS BSPP threaded fittings ABS Raccordi filettati BSPP

FEMALE ADAPTOR ADATTATORE FEMMINA

Rev. Aug 2019



Code	d	Rp	L1	L2	H	CH	PN	Weight (g)
RCA AFC020B	1/2"	1/2"	17	15	40	30	15	19
RCA AFC025C	3/4"	3/4"	20	16,3	45	36	15	27
RCA AFC032D	1"	1"	23	19,1	51	46	15	43
RCA AFC040E	1"1/4	1"1/4	27	21,4	58	55	15	68
RCA AFC050F	1"1/2	1"1/2	32	21,4	64	65	15	73
RCA AFC063G	2"	2"	39	26	75	75	15	115
RCA AFC075H	2"1/2	2"1/2	44	30,2	88	90	15	225

Thread according to ISO 228-1 / Filettatura secondo ISO 228-1



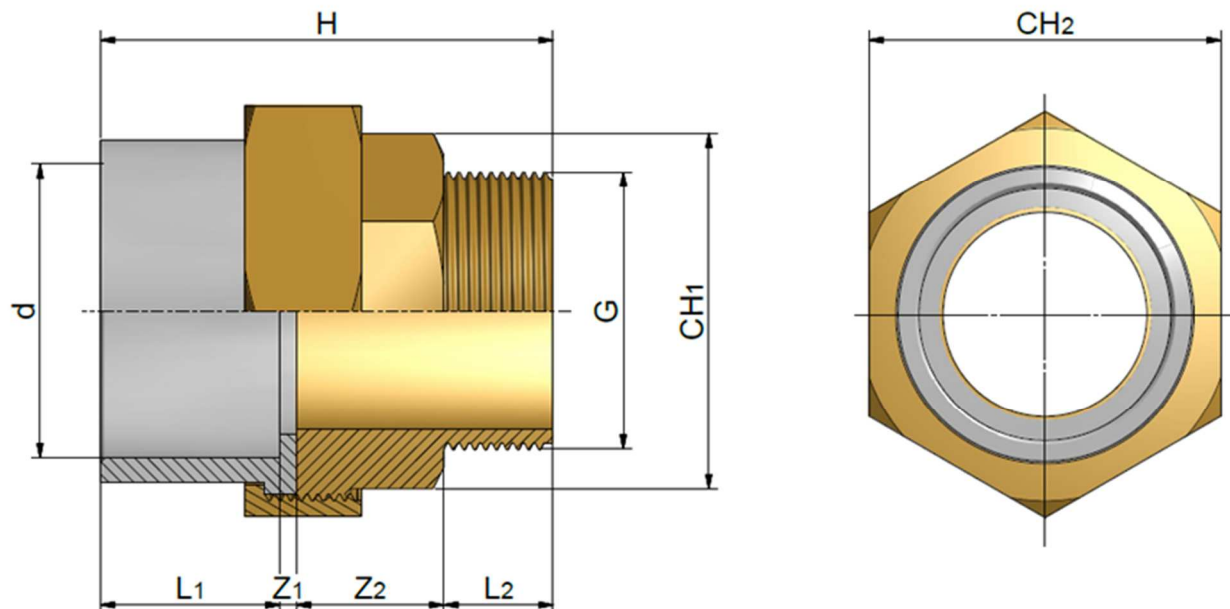
NSF and WRAS certifications: only for valves with EPDM seals. Certifications and approvals are related to items declared on Official Listing or certificates. /
Certificazioni NSF e WRAS: valide solo per le valvole con guarnizioni EPDM. Le certificazioni si riferiscono ai prodotti dichiarati nelle Official Listing o sui certificati stessi.

ABS Adaptor fittings, BS - BSPP ABS Raccordi di passaggio, BS - BSPP

UNION WITH BRASS MALE THREADED BUSH BOCCHETTONE CON PEZZO FISSO OTTONE MASCHIO

- Seal: EPDM or FKM / Guarnizione: EPDM o FKM

Rev. Aug 2019



Code	d	G	L1	L2	Z1	Z2	H	CH1	CH2	PN	Weight (g)
RCABNC020B	1/2"	1/2"	16	13,2	3	19,8	52	25	44	15	190
RCABNC025C	3/4"	3/4"	19	14,5	3	23,5	60	31	46	15	242
RCABNC032D	1"	1"	22	16,8	3	24,2	66	38	55	15	324
RCABNC040E	1"1/4	1"1/4	27	21	3	28	79	47	65	15	480
RCABNC050F	1"1/2	1"1/2	31	21	4	29	85	53	72	15	654
RCABNC063G	2"	2"	38	23,4	4	31,6	97	66	88	15	1010
RCABNC075H	2"1/2	2"1/2	44	26,7	4	39,3	114	81	108	15	1550
RCABNC090I	3"	3"	51	27,2	5	42,8	126	95	121	15	2140



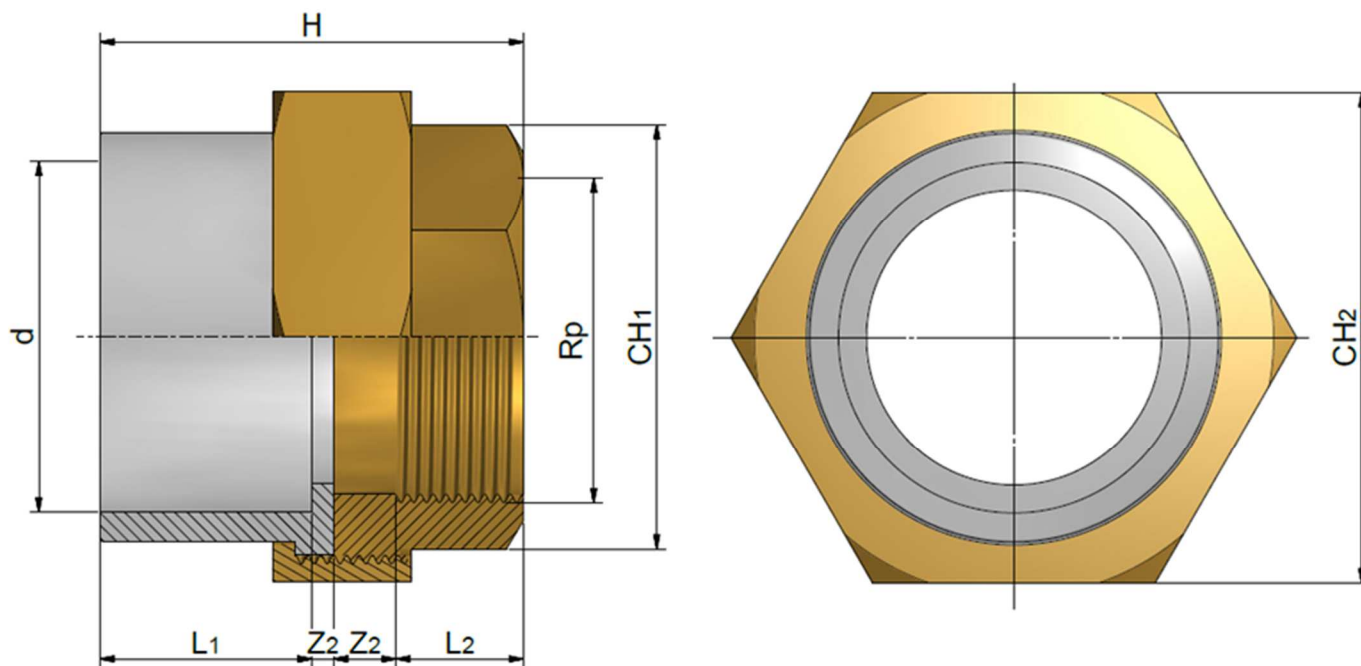
NSF and WRAS certifications: only for valves with EPDM seals. Certifications and approvals are related to items declared on Official Listing or certificates. /
Certificazioni NSF e WRAS: valide solo per le valvole con guarnizioni EPDM. Le certificazioni si riferiscono ai prodotti dichiarati nelle Official Listing o sui certificati stessi.

ABS Adaptor fittings, BS - BSPP
ABS Raccordi di passaggio, BS - BSPP

UNION WITH BRASS FEMALE BUSH
BOCCHETTONE CON PEZZO FISSO OTTONE FEMMINA

- Seal: EPDM or FKM / *Guarnizione: EPDM o FKM*

Rev. Apr 2019



Code	d	Rp	L1	L2	Z1	Z2	H	CH1	CH2	PN	Weight (g)
RCABBC020B	1/2"	1/2"	16	12	3	9	40	26	44	15	172
RCABBC025C	3/4"	3/4"	19	13	3	9	44	32	46	15	210
RCABBC032D	1"	1"	22	16	3	10	51	38	55	15	280
RCABBC040E	1"1/4	1"1/4	27	18	3	11	59	47	65	15	400
RCABBC050F	1"1/2	1"1/2	31	18	4	11	64	54	72	15	494
RCABBC063G	2"	2"	38	22	4	12	76	66	88	15	832
RCABBC075H	2"1/2	2"1/2	44	24	4	12	84	82	108	15	1340
RCABBC090I	3"	3"	51	31	5	13	100	95	121	15	1650



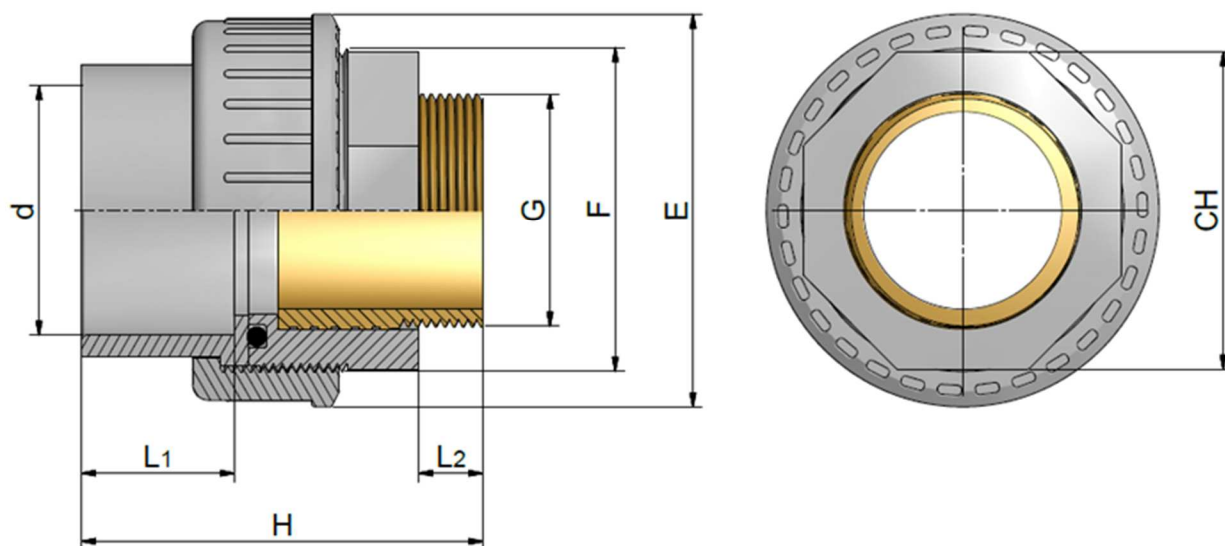
NSF and WRAS certifications: only for valves with EPDM seals. Certifications and approvals are related to items declared on Official Listing or certificates. /
 Certificazioni NSF e WRAS: valide solo per le valvole con guarnizioni EPDM. Le certificazioni si riferiscono ai prodotti dichiarati nelle Official Listing o sui certificati stessi.

ABS Adaptor fittings, BS - BSPP ABS Raccordi di passaggio, BS - BSPP

UNION WITH MALE BRASS INSERT BOCCHETTONE CON INSERTO OTTONE MASCHIO

- Seal: EPDM or FKM / Guarnizione: EPDM o FKM

Rev. Aug 2019



Code	d	G	L1	L2	H	E	F	CH	PN	Weight (g)
RCABND020B.N	1/2"	1/2"	17	13	61	43	1"	30	15	109
RCABND025C.N	3/4"	3/4"	19	14	68	54	1"1/4	36	15	163
RCABND032D.N	1"	1"	23	18	77	61	1"1/2	46	15	325
RCABND040E.N	1"1/4	1"1/4	27	21	87	75	2"	55	15	336
RCABND050F.N	1"1/2	1"1/2	37	21	95	81	2"1/4	65	15	465
RCABND063G.N	2"	2"	41	21	108	99	2"3/4	80	15	393



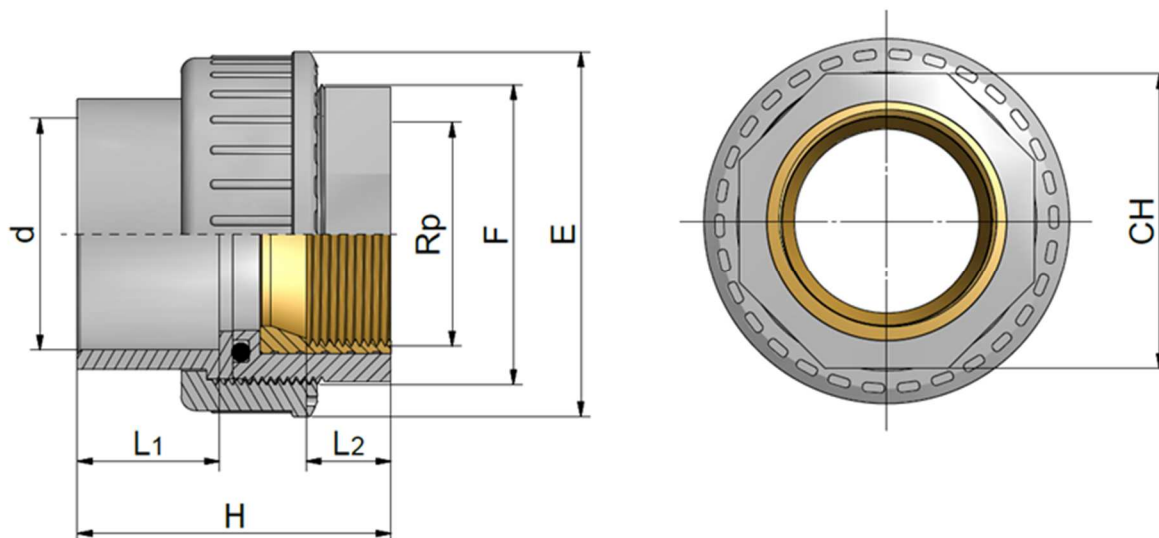
NSF and WRAS certifications: only for valves with EPDM seals. Certifications and approvals are related to items declared on Official Listing or certificates. /
Certificazioni NSF e WRAS: valide solo per le valvole con guarnizioni EPDM. Le certificazioni si riferiscono ai prodotti dichiarati nelle Official Listing o sui certificati stessi.

ABS Adaptor fittings, BS - BSPP ABS Raccordi di passaggio, BS - BSPP

UNION WITH BRASS FEMALE BUSH BOCCHETTONE CON PEZZO FISSO OTTONE FEMMINA

- Seal: EPDM or FKM / *Guarnizione: EPDM o FKM*

Rev. Apr 2019



Code	d	Rp	L1	L2	H	E	F	CH	PN	Weight (g)
RCABBD020B.N	1/2"	1/2"	16	14	47	43	1"	30	15	78
RCABBD025C.N	3/4"	3/4"	19	16	52	54	1"1/4	36	15	111
RCABBD032D.N	1"	1"	22	19	58	61	1"1/2	46	15	173
RCABBD040E.N	1"1/4	1"1/4	27	23	65	75	2"	55	15	235
RCABBD050F.N	1"1/2	1"1/2	31	23	71	81	2"1/4	65	15	330
RCABBD063G.N	2"	2"	38	23	85	99	2"3/4	80	15	533



NSF and WRAS certifications: only for valves with EPDM seals. Certifications and approvals are related to items declared on Official Listing or certificates. /
Certificazioni NSF e WRAS: valide solo per le valvole con guarnizioni EPDM. Le certificazioni si riferiscono ai prodotti dichiarati nelle Official Listing o sui certificati stessi.

All descriptions and illustrations in this publication are intended for guidance only and shall not constitute a 'sale by description'. All dimensions given are nominal, while changes can be done on the information, products and specifications from time to time for a variety of reasons, without prior notice. The information in this publication is provided 'as is' on the revision date stated on the sheet. Updates will not be issued automatically. This information is not intended to have any legal effect, whether by way of advice, representation or warranty (express or implied). We accept no liability whatsoever (to the extent permitted by law) if you place any reliance on this publication you must do so at your own risk. All rights reserved. Copyright in this publication belongs to Polypipe Italia and all such copyright may not be used, sold, copied or reproduced in whole or part in any manner in any media to any person without prior consent. **EFFAST** is a registered trademark."